



FITTING INSTRUCTIONS FOR

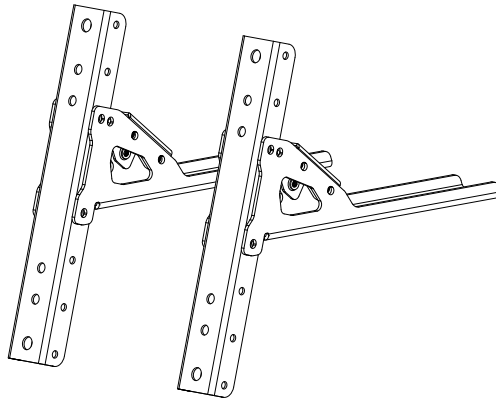
Side Maxtrax and Shovel Mount

SKU

KS0780

COMPATIBILITY

Rhino-Rack, Rola, Yakima, Thule



Included contents

QTY	COMPONENT	QTY	COMPONENT
2	Roof Rack Mounting Bracket	4	SwitchBolt Tee Bolt
2	Maxtrax Mounting Bracket	4	SwitchBolt Retainer
2	Shovel Mount Bracket	4	M8 x 20 x 20 T Bolt
16	M6 X 12 Socket Head Cap Screw	4	M8 Nyloc Nut
8	M6 Nyloc Nut	4	M8 x 24 x 2.0 DIN Washer

Also required

QTY	COMPONENT
4	Maxtrax or TRED Mounting Pins



Time

10 minutes / Few sips of beer

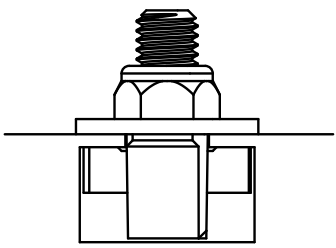
For further information contact KAON on **07 3180 1470** or info@kaon.com.au

Which hardware you'll need.

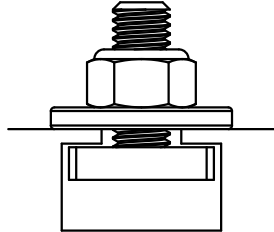
We've made sure to source all the hardware you'll need for your specific type of roof rack, so you can get your recovery boards up as hassle-free as possible.

The following fastening hardware will vary, based on which roof rack you are mounting to.

Rhino-Rack / Yakima	
QTY	COMPONENT
4	SwitchBolt Tee Bolt
4	SwitchBolt Retainer
4	M8 Nyloc Nut
4	M8 x 24 x 2.0 DIN Washer



ROLA / Thule	
QTY	COMPONENT
4	M8 Nyloc Nut
4	M8 x 24 x 2.0 DIN Washer
4	M8 x 20 x 20 T Bolt



Now that you know what hardware to use, let's get to the fun part, installing →

Bolt Torque

DIAMETER (mm)	5mm	6mm	8mm	10mm	12mm
NEWTON-METRES (Nm)	5 Nm	9 Nm	22 Nm	44 Nm	77 Nm

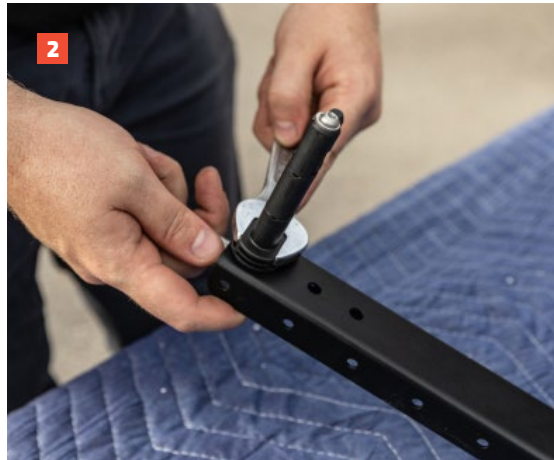
Let's get to work.

Preparation

1. It's best if we get the mounting pins attached to the Maxtrax Mounting Bracket mounting bracket first. If you ordered a set of pins, these will have been included. If you already had some, that's great! If you've lost them, we know a place you can buy some...

If you are planning on mounting a shovel mount on your bracket, we recommend ensuring that you select the 17mm thread Maxtrax Mounting pins.

2. If you are using the genuine Maxtrax Mounting Pins, the set contains 4 x pins, 4 x nyloc nuts and 4 x washers. We find it easiest to attach the pins to the Maxtrax Mounting Bracket bracket by holding the nut in place with a spanner, while using a spanner to tighten the pin.
3. Ensure the final position of the pin matches the same orientation as the keyholes of your Maxtrax. This can vary, depending on your desired mount placement.



Installation

4. To get started, mockup the position the mount will be placed on your roof rack, loosely holding it in place as pictured. Decide on the preferred height and angle, ensuring that the mounts do not foul on the door.

Depending on which Maxtrax you are using, the length will determine how far across you will need to space your pins. Use the following distance for spacing your pins:

Standard Maxtrax/TRED: 890mm

Maxtrax Lite: 634mm

Maxtrax Mini: 379mm

5. Use the supplied M6 bolts and nuts to attach the Maxtrax Mounting Bracket to the Roof Rack Mounting Bracket at the desired height and angle.
6. Tighten the bolts until secure.

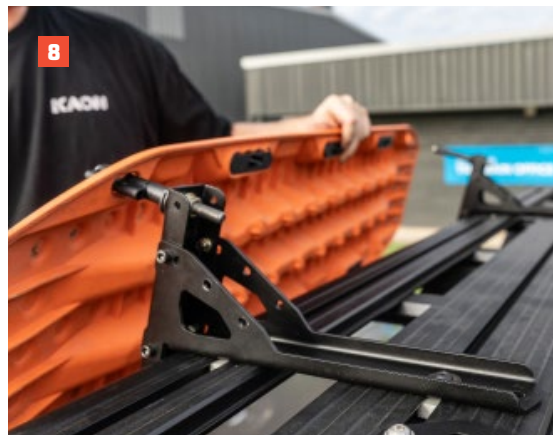
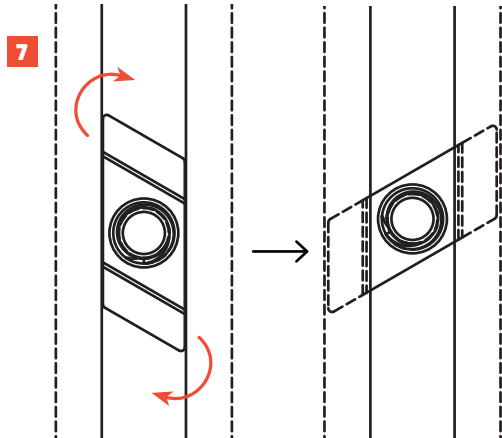


Installation cont.

7. Slide the required captive fastener for your roof rack (see hardware breakdown on pages 2 & 3) in the necessary slats on the roof rack. Place the brackets over these captive fasteners, and loosely attach with the nut and washer.

If you are installing on a Rhino-Rack or Yakima: place the SwitchBolt in the desired position, and twist the bolt 90 degrees in the channel as pictured. Secure the SwitchBolt's position with a Retainer over the top.

8. With the bracket loosely attached, place a recovery board on the pins to ensure you have the correct spacing, then position the board and brackets to their desired location and tighten down fully.
9. You will notice there will be two Shovel Mount Brackets left over after installing the recovery board mount. If you're planning on mounting a shovel or accessory in conjunction with your Maxtrax mount, proceed to the next section, otherwise you're all done!



Shovel Mount Installation

10. If you are also fitting a shovel mount (for example, QuickFist, Rhino-Rack, StowIt, Yakima Ace O'Spades etc), attach it to the Shovel Mount Bracket mount in your desired orientation. Ensure that it can open and close fully after being mounted.
11. Slide the Maxtrax Mounting Bracket inside the mount, as pictured, and fasten using the supplied M6 bolts.
12. That's it, you're done! You can now easily mount your shovels in conjunction with your Maxtrax boards, in a convenient location on your roof rack.





Local Knowledge & Assistance

We know half the fun of building your dream 4x4 is getting your hands dirty. But we also know that sometimes, things don't go to plan. If in the pursuit to build the ultimate setup you find yourself off-track, we're here to help you get unstuck.

For further information call 07 3180 1470 or email info@kaon.com.au

Disclaimer: The products sold by KAON should not be modified, and are for use only on the vehicles specifically stated. KAON will not be liable for any damages arising out of the use or misuse of its products. It is the customers responsibility to ensure the products are safely and properly used and installed. KAON consistently seeks to improve its products and reserves the right to make changes to any product.